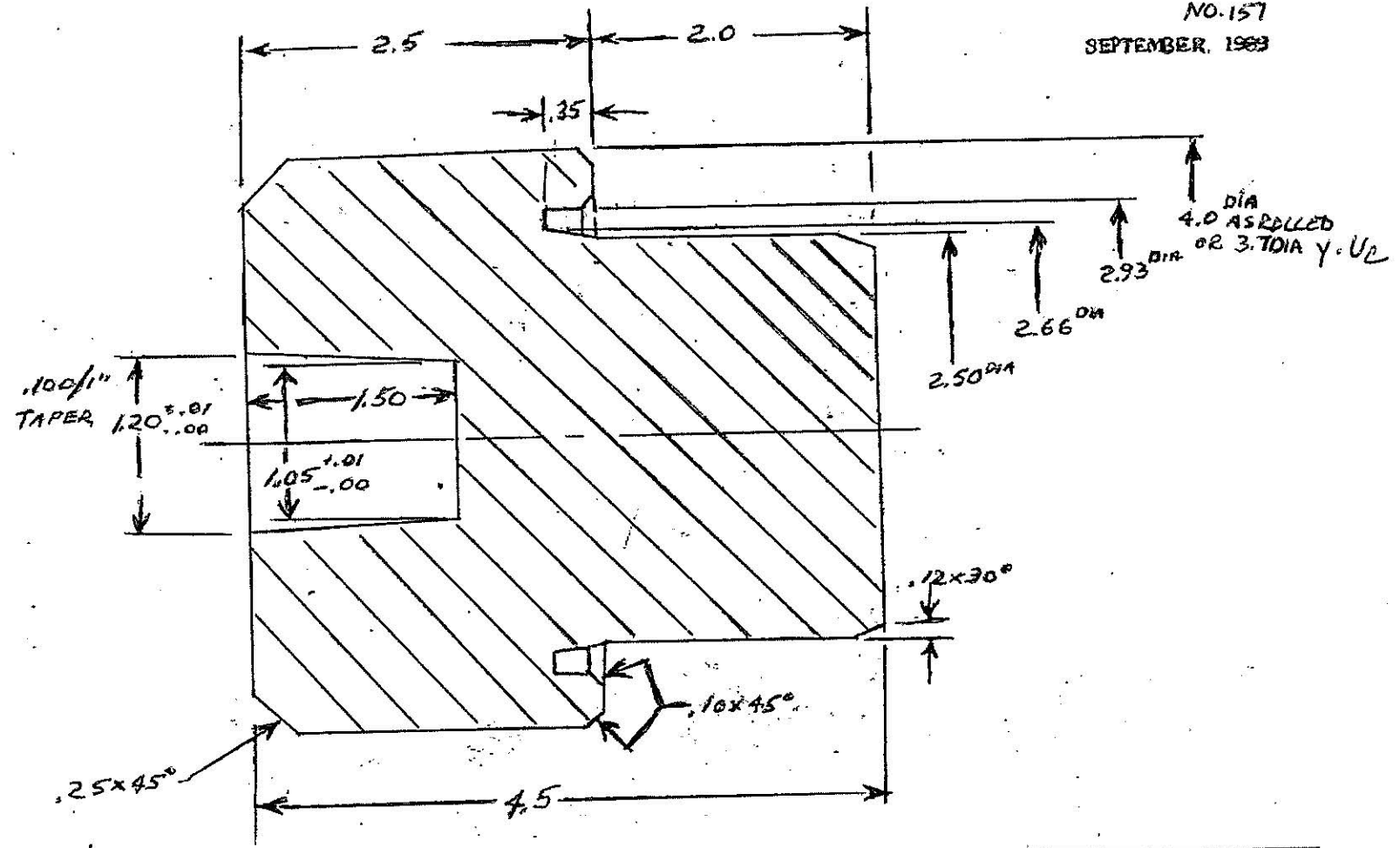


NO. 157  
SEPTEMBER, 1983



MATL: 1040 HR BAR

2 7/8" DRIVE CAP	
ORDER FULL	APPROVED BY:
DATE:	BY: